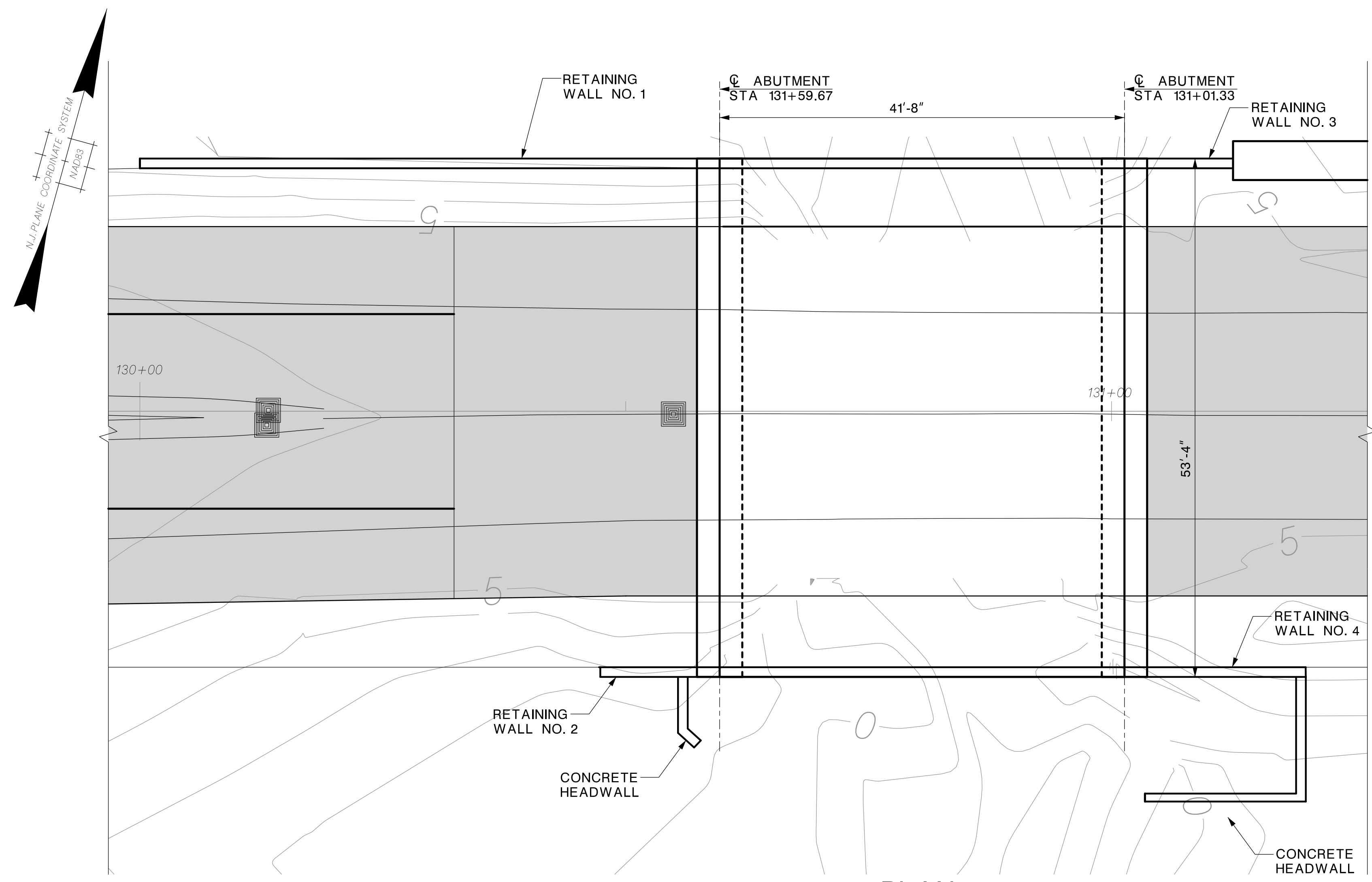
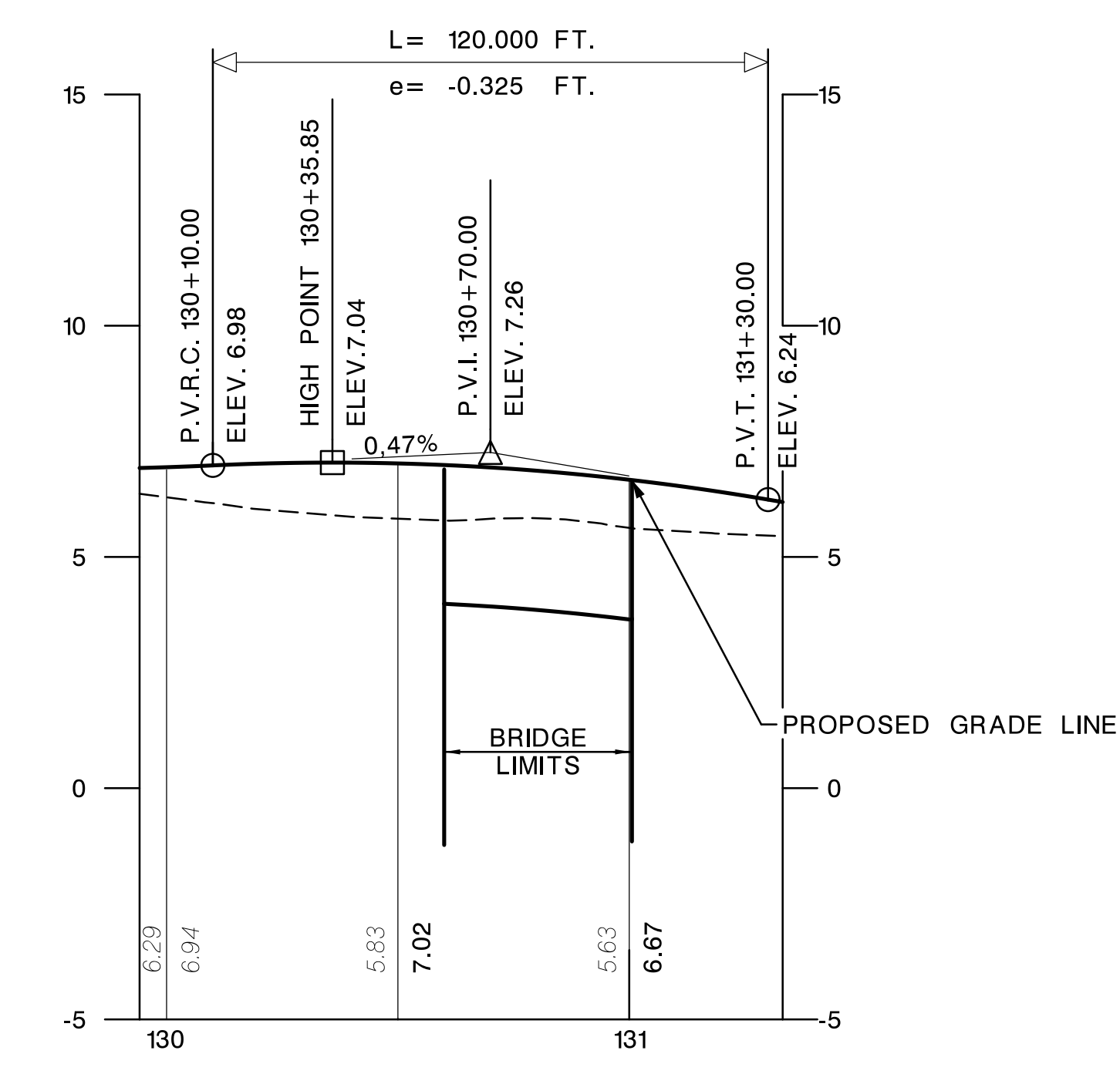


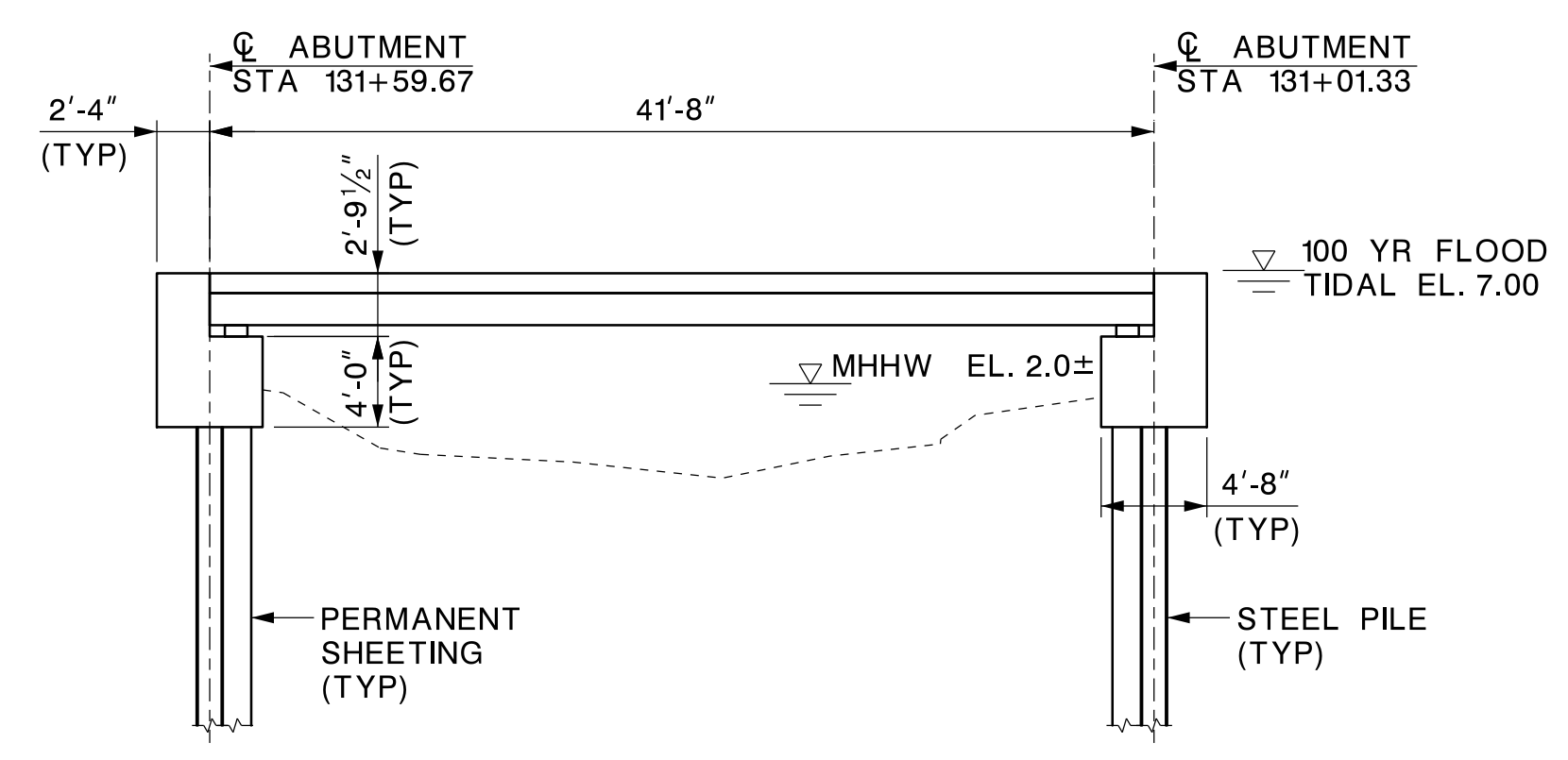
STATE	FEDERAL PROJECT NO.	SHEET	TOTAL SHEETS
N. J.			
STRUCTURE NO.			
STRUCTURE NAME			
ROUTE 88 OVER BEAVER DAM CREEK			



PLAN
SCALE: 1/8"=1'-0"



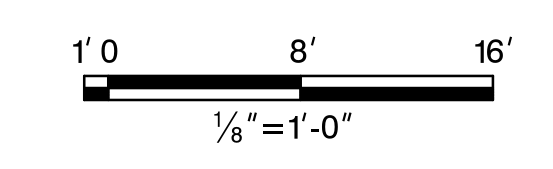
VERTICAL PROFILE
SCALE: NTS



ELEVATION
SCALE: 1/8"=1'-0"

Preliminary

The proposed work is for information purposes only and should not be relied upon in any manner.



CONTROL SECTION		JOB NO.	
DES. BY	DJD	CHK. BY	SP
DWN. BY	CS	CHK. BY	DJD
EST. BY		CHK. BY	
SPECS. BY		CHK. BY	
IN CHARGE OF			

FILE NAME: IP_PWP40212406001_Prop Plan and Elevation.dgn
DATE: 05-OCT-2020 TIME: 09:31 USERNAME: EngramM

NEW JERSEY DEPARTMENT OF TRANSPORTATION BUREAU OF STRUCTURAL ENGINEERING	
PLAN AND ELEVATION ROUTE 88 OVER BEAVER DAM CREEK CONTRACT NO. 007093220	
JACOBS ENGINEERING GROUP INC. CERTIFICATE OF AUTHORIZATION NO. 24GA27990200	
SATISH PATEL NJ P.E. LICENSE NO. 24GE04688000	
BRIDGE SHEET NO. B-1 of B-2	15

REVISION	BY	KCD.	DATE